

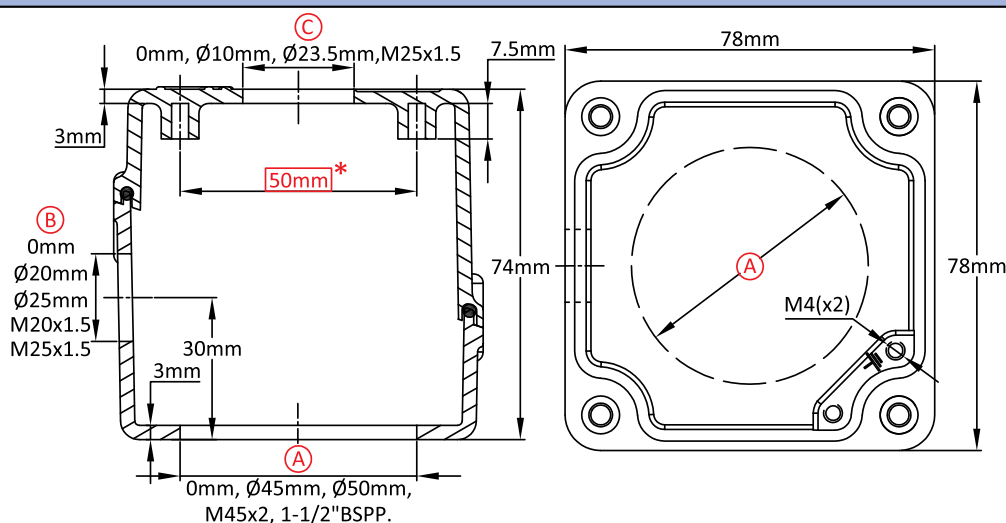
Alloggiamento per riscaldatore a immersione, sensore di livello o sensore di temperatura



Dimensioni (mm)	Volume(cm ³)	Materiale	Grado di protezione		Modello
78 x 78 x 74	410	Alluminio	IP69K	IK10	Y304 (P1)

Adatto per

- Sensore di temperatura
- Riscaldatore a immersione
- Riscaldatore alettato
- Termostato
- Sensore di livello
- Scheda elettronica



Riferimenti principali

A (mm)	B (mm)	C (mm)	Non verniciato	Verniciato	A (mm)	B (mm)	C (mm)	Non verniciato	Verniciato
0	0	0	Y304000000000007	Y30400000000000G	0	M20x1.5	0	Y30400001T000007	Y30400001T00000G
0	0	10	Y304000A00000007	Y304000A0000000G	0	M20x1.5	10	Y304000A1T000007	Y304000A1T00000G
0	0	23.5	Y304000D00000007	Y304000D0000000G	0	M20x1.5	23.5	Y304000D1T000007	Y304000D1T00000G
0	0	M25x1.5	Y304000F00000007	Y304000F0000000G	0	M20x1.5	M25x1.5	Y304000F1T000007	Y304000F1T00000G
0	20	0	Y304000012000007	Y30400001200000G	0	M25x1.5	0	Y30400001T500007	Y30400001T50000G
0	20	10	Y304000A12000007	Y304000A1200000G	0	M25x1.5	10	Y304000A1T500007	Y304000A1T50000G
0	20	23.5	Y304000D12000007	Y304000D1200000G	0	M25x1.5	23.5	Y304000D1T500007	Y304000D1T50000G
0	20	M25x1.5	Y304000F12000007	Y304000F1200000G	0	M25x1.5	M25x1.5	Y304000F1T500007	Y304000F1T50000G
0	25	0	Y304000012500007	Y30400001250000G	45	0	0	Y304450000000007	Y30445000000000G
0	25	10	Y304000A12500007	Y304000A1250000G	45	0	10	Y304450A00000007	Y304450A0000000G
0	25	23.5	Y304000D12500007	Y304000D1250000G	45	0	23.5	Y304450D00000007	Y304450D0000000G
0	25	M25x1.5	Y304000F12500007	Y304000F1250000G	45	0	M25x1.5	Y304450F00000007	Y304450F0000000G

I pressacavi non sono inclusi in questi riferimenti, consultateci se li desiderate.

Le dimensioni in rosso all'interno delle cornici rettangolari sono utilizzate per il montaggio degli accessori.

Alloggiamento per riscaldatore a immersione, sensore di livello o sensore di temperatura

Y304
(P2)



(A) (mm)	(B) (mm)	(C) (mm)	Non verniciato	Verniciato	(A) (mm)	(B) (mm)	(C) (mm)	Non verniciato	Verniciato
45	20	0	Y304450012000007	Y30445001200000G	M45x2	0	23.5	Y304M45D000000007	Y304M45D00000000G
45	20	10	Y304450A12000007	Y304450A1200000G	M45x2	0	M25x1.5	Y304M45F000000007	Y304M45F00000000G
45	20	23.5	Y304450D12000007	Y304450D1200000G	M45x2	20	0	Y304M45012000007	Y304M4501200000G
45	20	M25x1.5	Y304450F12000007	Y304450F1200000G	M45x2	20	10	Y304M45A12000007	Y304M45A1200000G
45	25	0	Y304450012500007	Y30445001250000G	M45x2	20	23.5	Y304M45D12000007	Y304M45D1200000G
45	25	10	Y304450A12500007	Y304450A1250000G	M45x2	20	M25x1.5	Y304M45F12000007	Y304M45F1200000G
45	25	23.5	Y304450D12500007	Y304450D1250000G	M45x2	25	0	Y304M45012500007	Y304M4501250000G
45	25	M25x1.5	Y304450F12500007	Y304450F1250000G	M45x2	25	10	Y304M45A12500007	Y304M45A1250000G
45	M20x1.5	0	Y30445001T000007	Y30445001T00000G	M45x2	25	23.5	Y304M45D12500007	Y304M45D1250000G
45	M20x1.5	10	Y304450A1T000007	Y304450A1T00000G	M45x2	25	M25x1.5	Y304M45F12500007	Y304M45F1250000G
45	M20x1.5	23.5	Y304450D1T000007	Y304450D1T00000G	M45x2	M20x1.5	0	Y304M4501T000007	Y304M4501T00000G
45	M20x1.5	M25x1.5	Y304450F1T000007	Y304450F1T00000G	M45x2	M20x1.5	10	Y304M45A1T000007	Y304M45A1T00000G
45	M25x1.5	0	Y30445001T500007	Y30445001T50000G	M45x2	M20x1.5	23.5	Y304M45D1T000007	Y304M45D1T00000G
45	M25x1.5	10	Y304450A1T500007	Y304450A1T50000G	M45x2	M20x1.5	M25x1.5	Y304M45F1T000007	Y304M45F1T00000G
45	M25x1.5	23.5	Y304450D1T500007	Y304450D1T50000G	M45x2	M25x1.5	0	Y304M4501T500007	Y304M4501T50000G
45	M25x1.5	M25x1.5	Y304450F1T500007	Y304450F1T50000G	M45x2	M25x1.5	10	Y304M45A1T500007	Y304M45A1T50000G
50	0	0	Y304500000000007	Y30450000000000G	M45x2	M25x1.5	23.5	Y304M45D1T500007	Y304M45D1T50000G
50	0	10	Y304500A000000007	Y304500A00000000G	M45x2	M25x1.5	M25x1.5	Y304M45F1T500007	Y304M45F1T50000G
50	0	23.5	Y304500D000000007	Y304500D00000000G	1½" BSPP	0	0	Y304BA2000000007	Y304BA200000000G
50	0	M25x1.5	Y304500F000000007	Y304500F00000000G	1½" BSPP	0	10	Y304BA2A000000007	Y304BA2A00000000G
50	20	0	Y304500012000007	Y30450001200000G	1½" BSPP	0	23.5	Y304BA2D000000007	Y304BA2D00000000G
50	20	10	Y304500A12000007	Y304500A1200000G	1½" BSPP	0	M25x1.5	Y304BA2F000000007	Y304BA2F00000000G
50	20	23.5	Y304500D12000007	Y304500D1200000G	1½" BSPP	20	0	Y304BA2012000007	Y304BA201200000G
50	20	M25x1.5	Y304500F12000007	Y304500F1200000G	1½" BSPP	20	10	Y304BA2A12000007	Y304BA2A1200000G
50	25	0	Y304500012500007	Y30450001250000G	1½" BSPP	20	23.5	Y304BA2D12000007	Y304BA2D1200000G
50	25	10	Y304500A12500007	Y304500A1250000G	1½" BSPP	20	M25x1.5	Y304BA2F12000007	Y304BA2F1200000G
50	25	23.5	Y304500D12500007	Y304500D1250000G	1½" BSPP	25	0	Y304BA2012500007	Y304BA201250000G
50	25	M25x1.5	Y304500F12500007	Y304500F1250000G	1½" BSPP	25	10	Y304BA2A12500007	Y304BA2A1250000G
50	M20x1.5	0	Y30450001T000007	Y30450001T00000G	1½" BSPP	25	23.5	Y304BA2D12500007	Y304BA2D1250000G
50	M20x1.5	10	Y304500A1T000007	Y304500A1T00000G	1½" BSPP	25	M25x1.5	Y304BA2F12500007	Y304BA2F1250000G
50	M20x1.5	23.5	Y304500D1T000007	Y304500D1T00000G	1½" BSPP	M20x1.5	0	Y304BA201T000007	Y304BA201T00000G
50	M20x1.5	M25x1.5	Y304500F1T000007	Y304500F1T00000G	1½" BSPP	M20x1.5	10	Y304BA2A1T000007	Y304BA2A1T00000G
50	M25x1.5	0	Y30450001T500007	Y30450001T50000G	1½" BSPP	M20x1.5	23.5	Y304BA2D1T000007	Y304BA2D1T00000G
50	M25x1.5	10	Y304500A1T500007	Y304500A1T50000G	1½" BSPP	M20x1.5	M25x1.5	Y304BA2F1T000007	Y304BA2F1T00000G
50	M25x1.5	23.5	Y304500D1T500007	Y304500D1T50000G	1½" BSPP	M25x1.5	0	Y304BA201T500007	Y304BA201T50000G
50	M25x1.5	M25x1.5	Y304500F1T500007	Y304500F1T50000G	1½" BSPP	M25x1.5	10	Y304BA2A1T500007	Y304BA2A1T50000G
M45x2	0	0	Y304M45000000007	Y304M4500000000G	1½" BSPP	M25x1.5	23.5	Y304BA2D1T500007	Y304BA2D1T50000G
M45x2	0	10	Y304M45A000000007	Y304M45A00000000G	1½" BSPP	M25x1.5	M25x1.5	Y304BA2F1T500007	Y304BA2F1T50000G

A causa del costante miglioramento dei nostri prodotti, i disegni, le descrizioni e le caratteristiche utilizzate in queste schede tecniche sono solo a titolo indicativo e possono essere modificate senza preavviso.